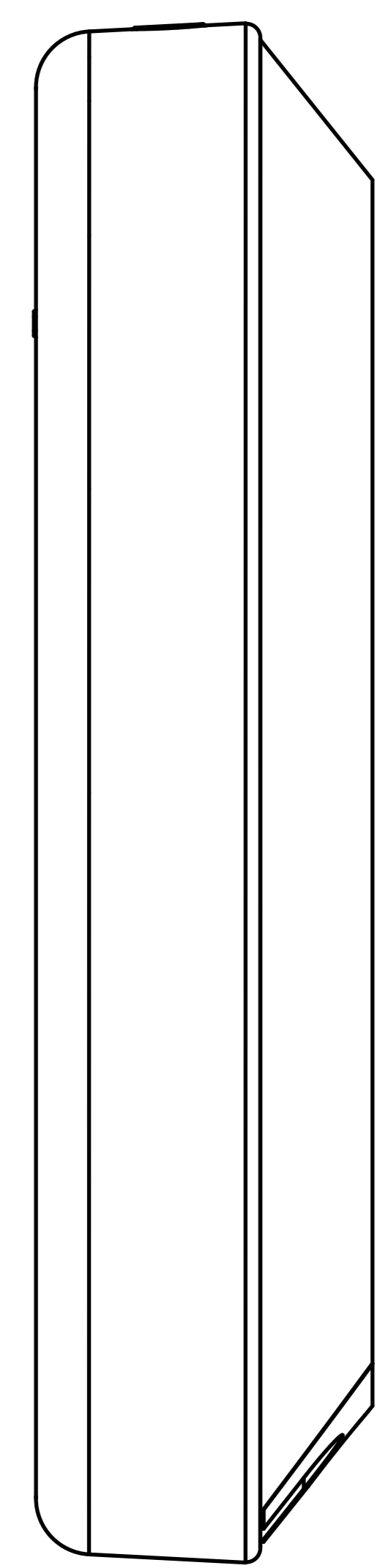
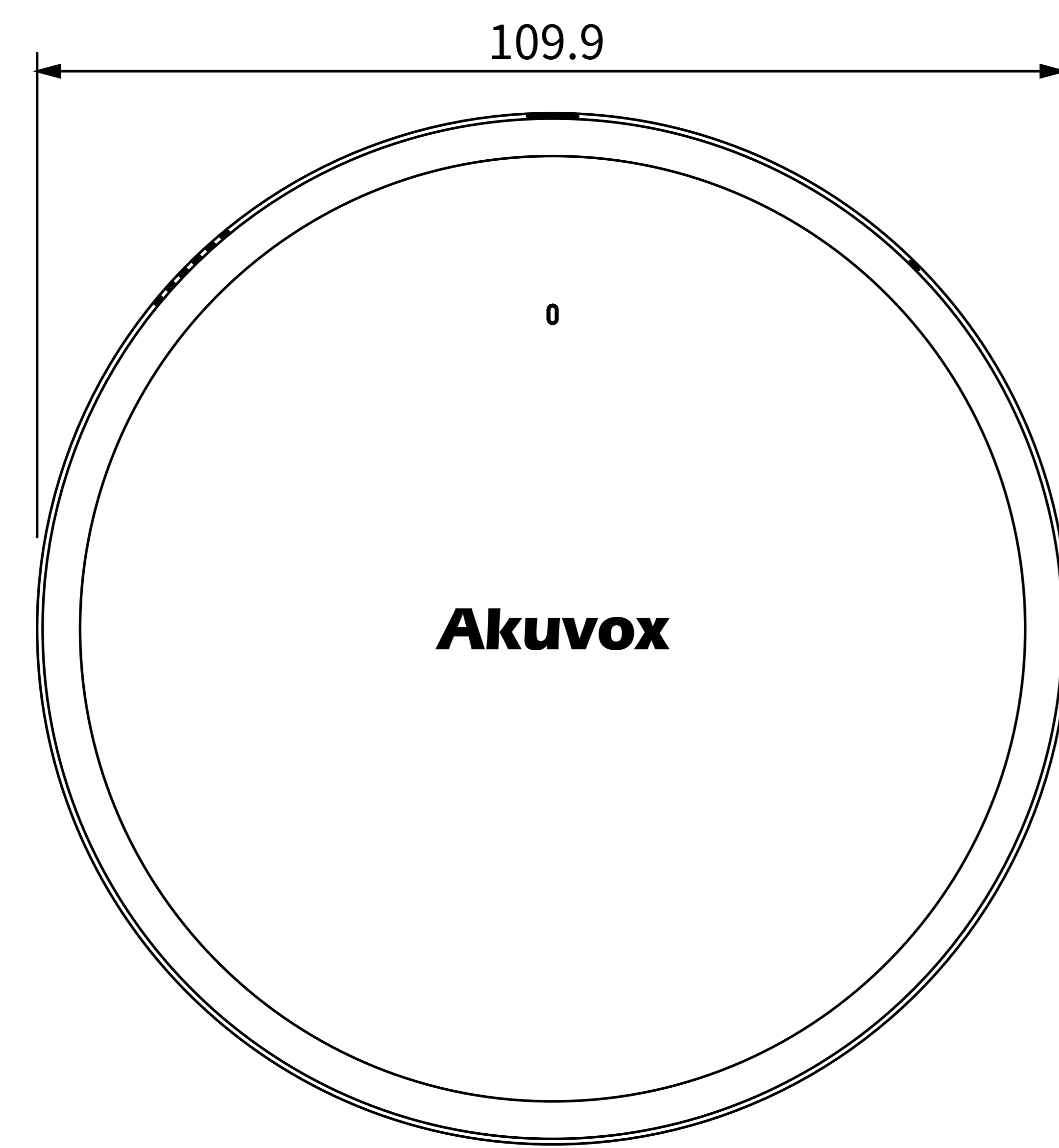


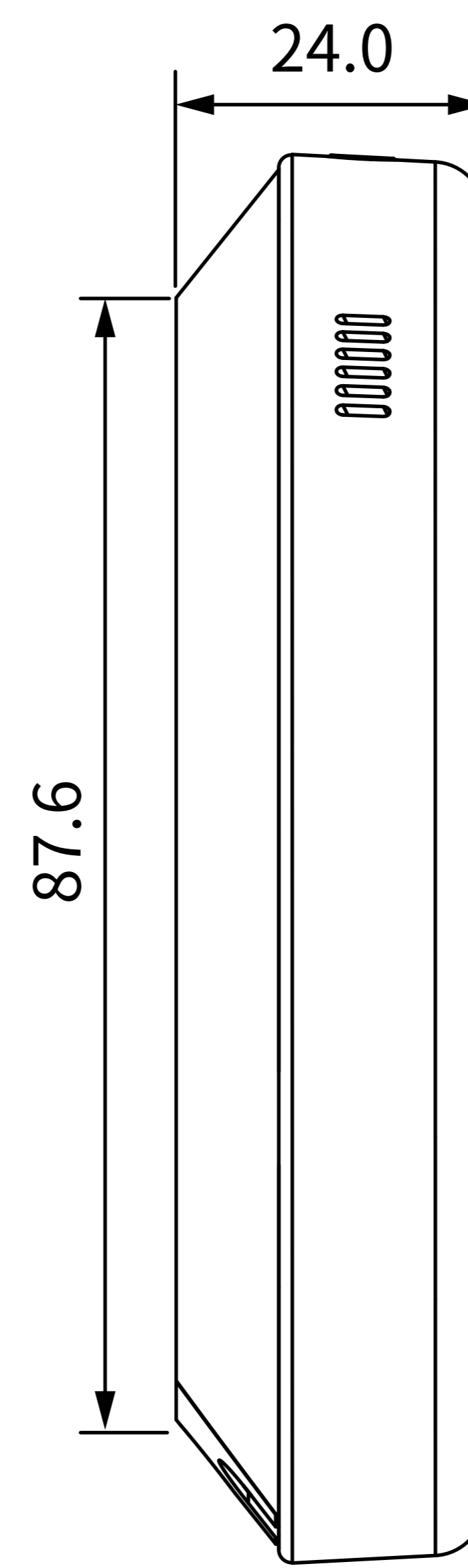
⑥ BOTTOM VIEW



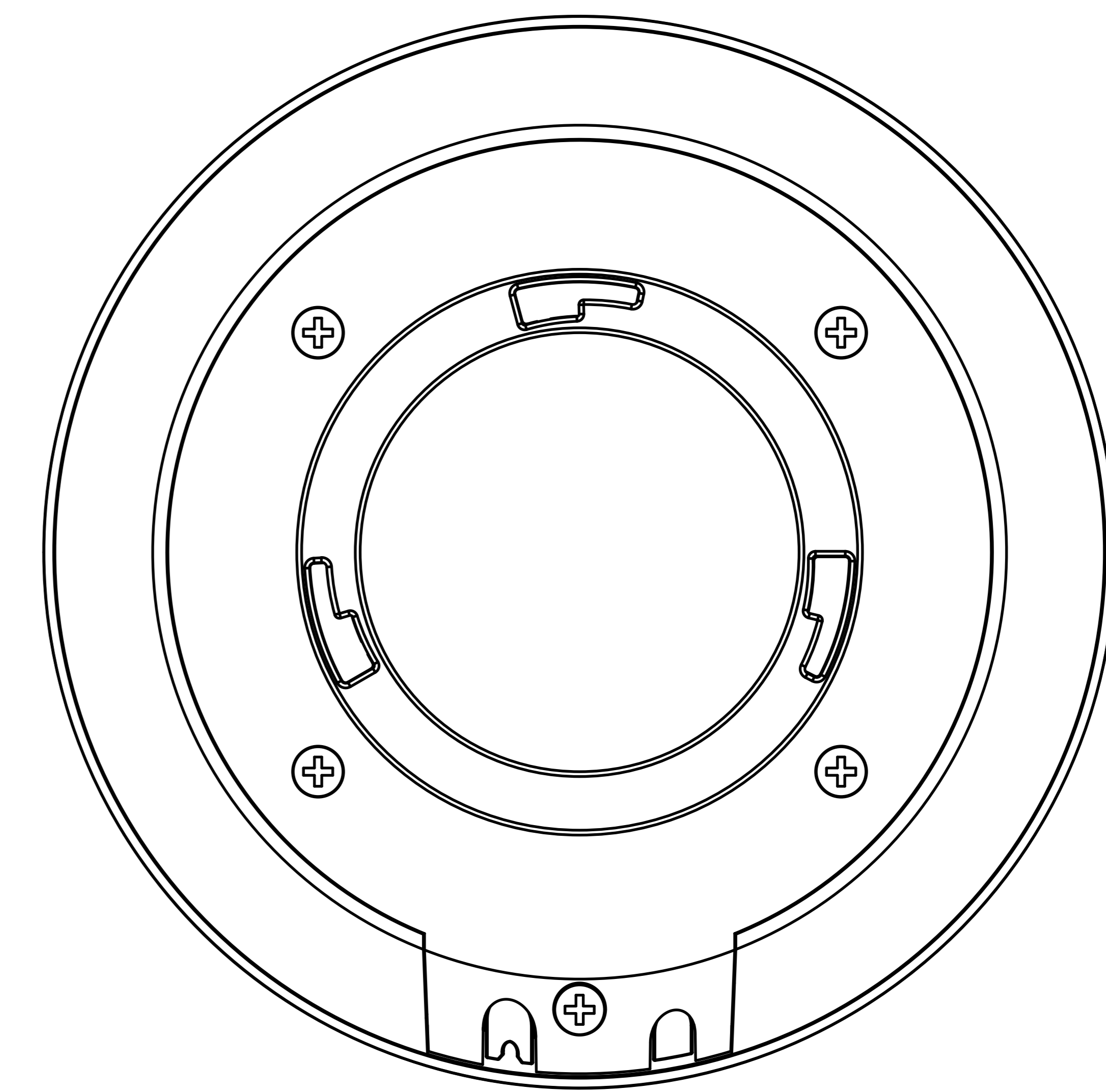
② RIGHT VIEW



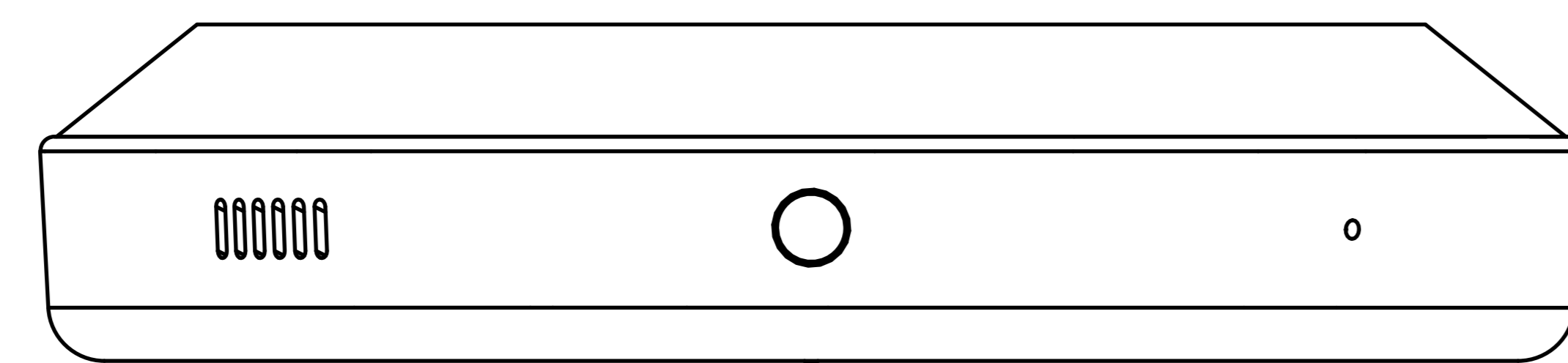
① FRONT VIEW



③ LEFT VIEW



④ BACK VIEW



⑤ TOP VIEW

**Applicable Model**

MR01

**Drawing Title**

Top Mounting  
Bracket

**Drawing Unit**

mm

**Drawing Scale**

Not to scale

**DRAFT  
SUBJECT TO  
CHANGE**

**Last Revised**

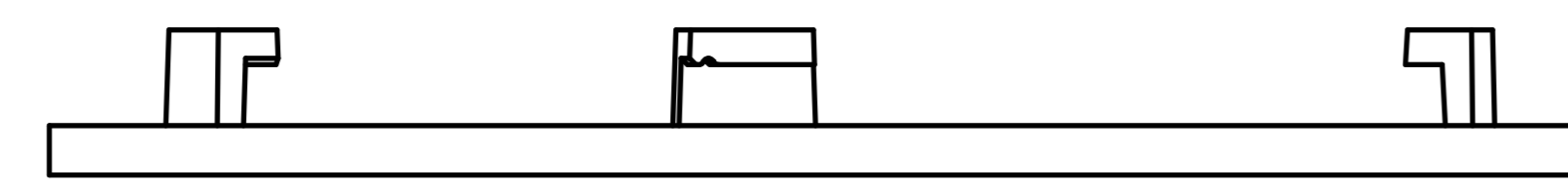
May 19,2026

**Drawing Version**

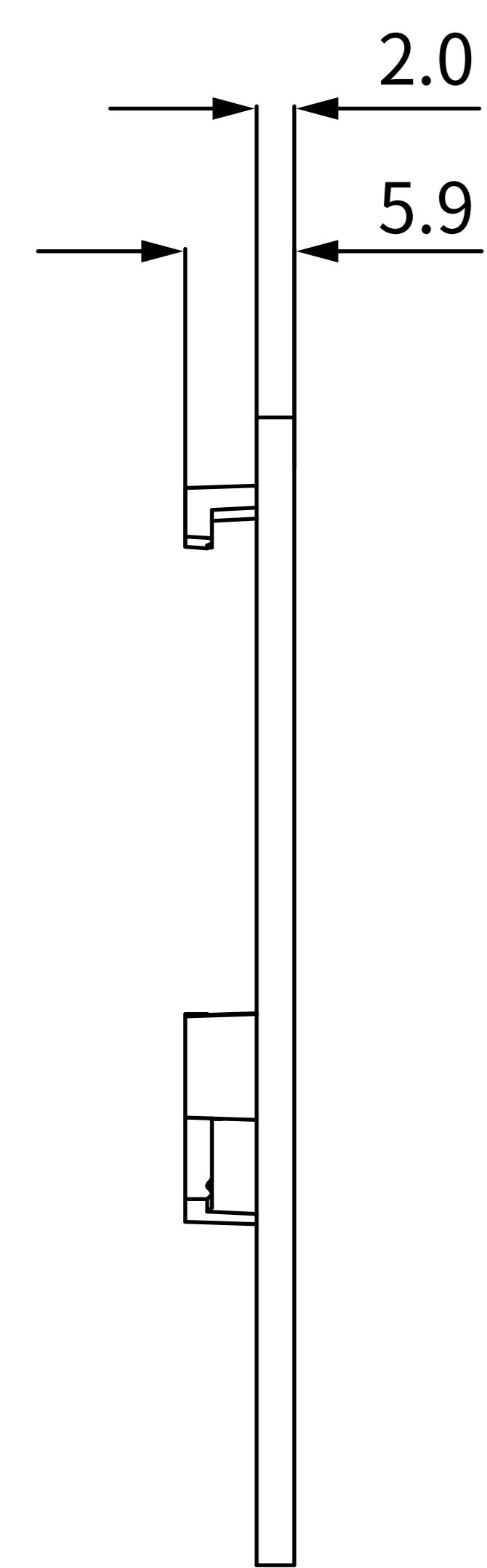
V1.0

**Page**

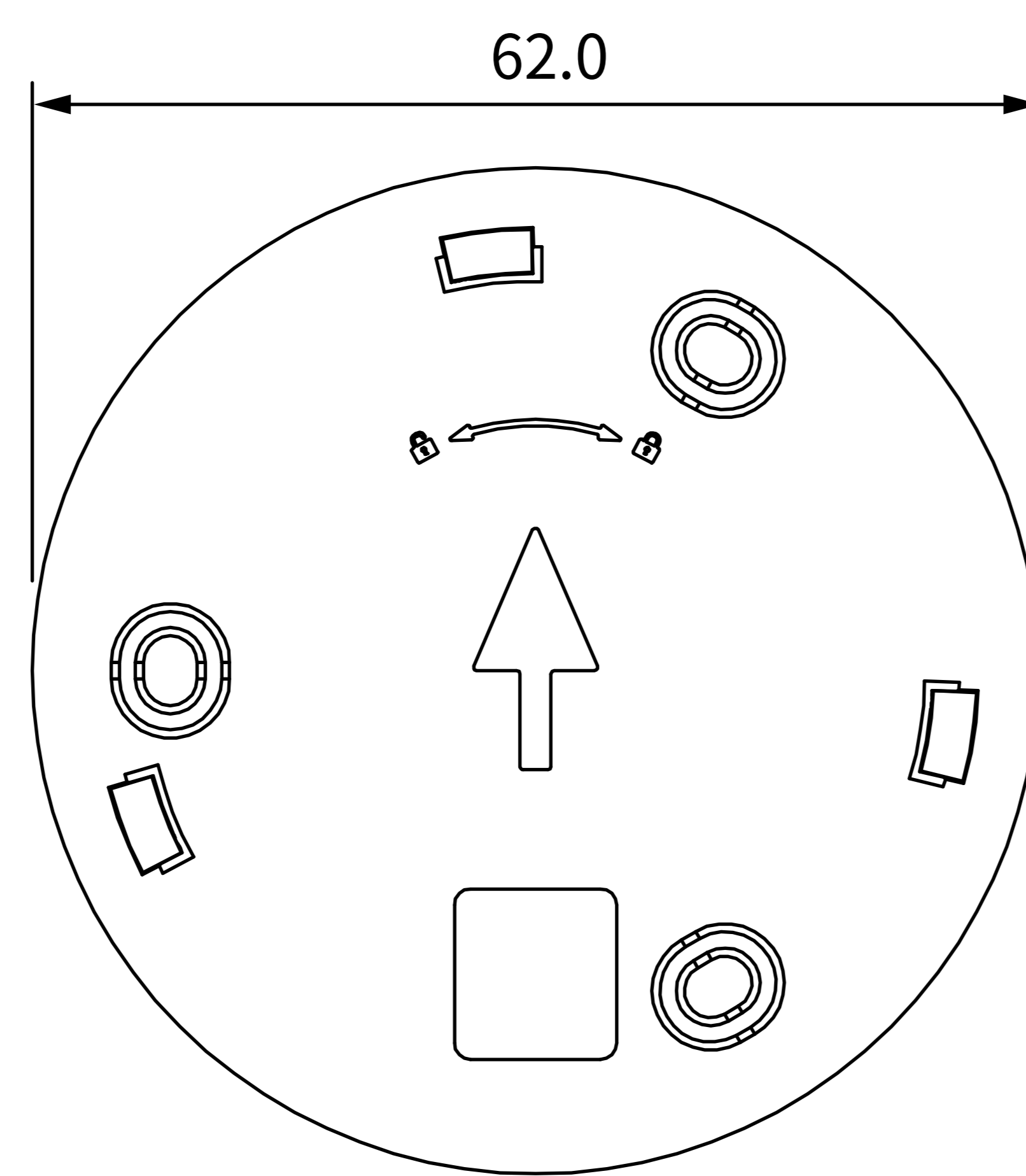
2 of 5



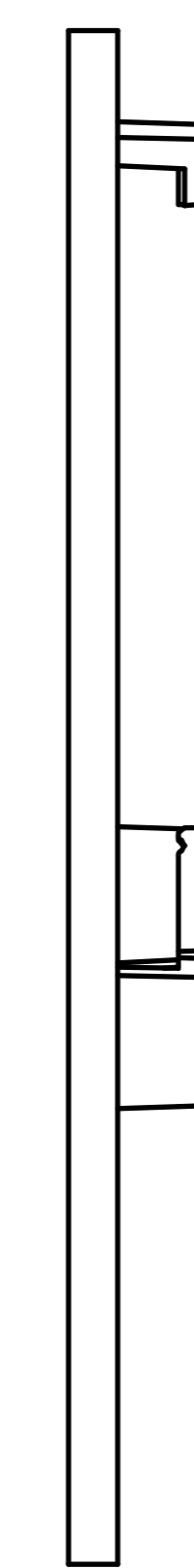
⑥ **BOTTOM VIEW**



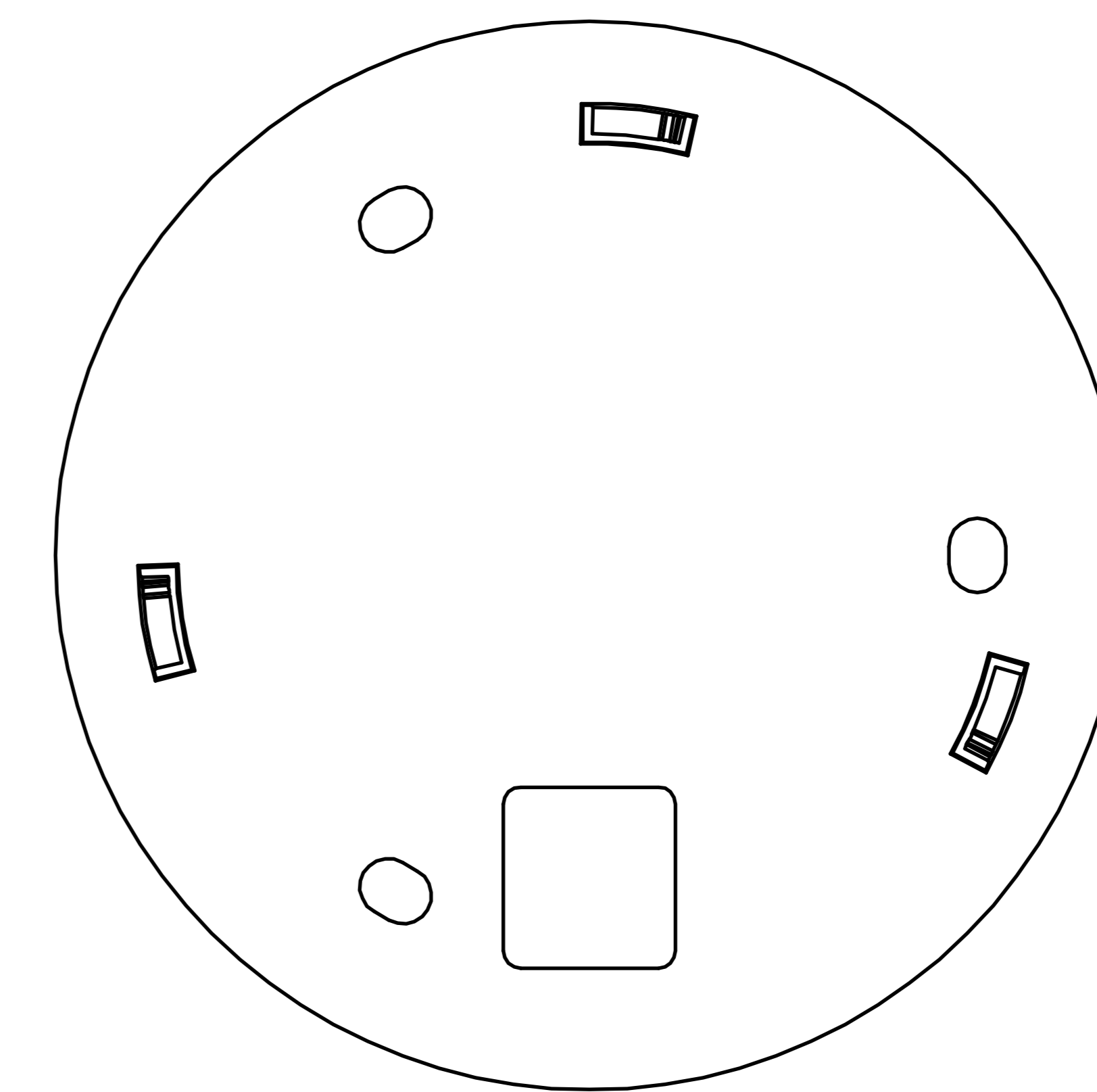
② **RIGHT VIEW**



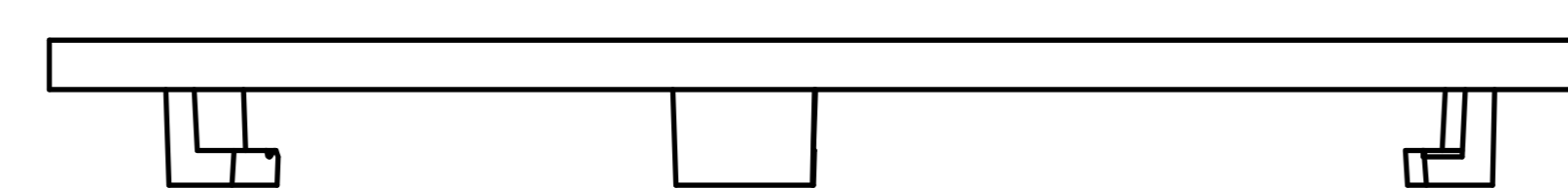
① **FRONT VIEW**



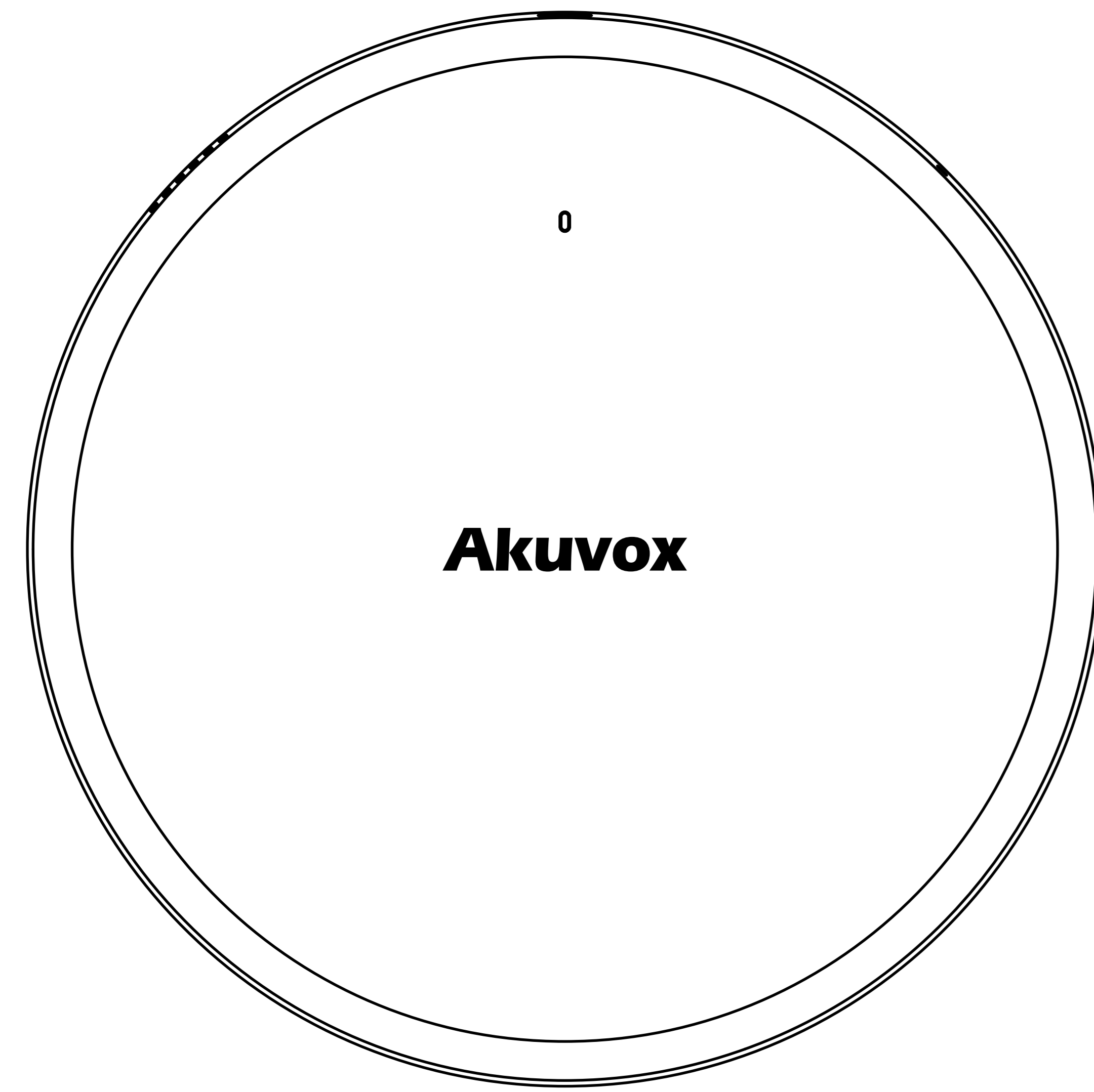
③ **LEFT VIEW**



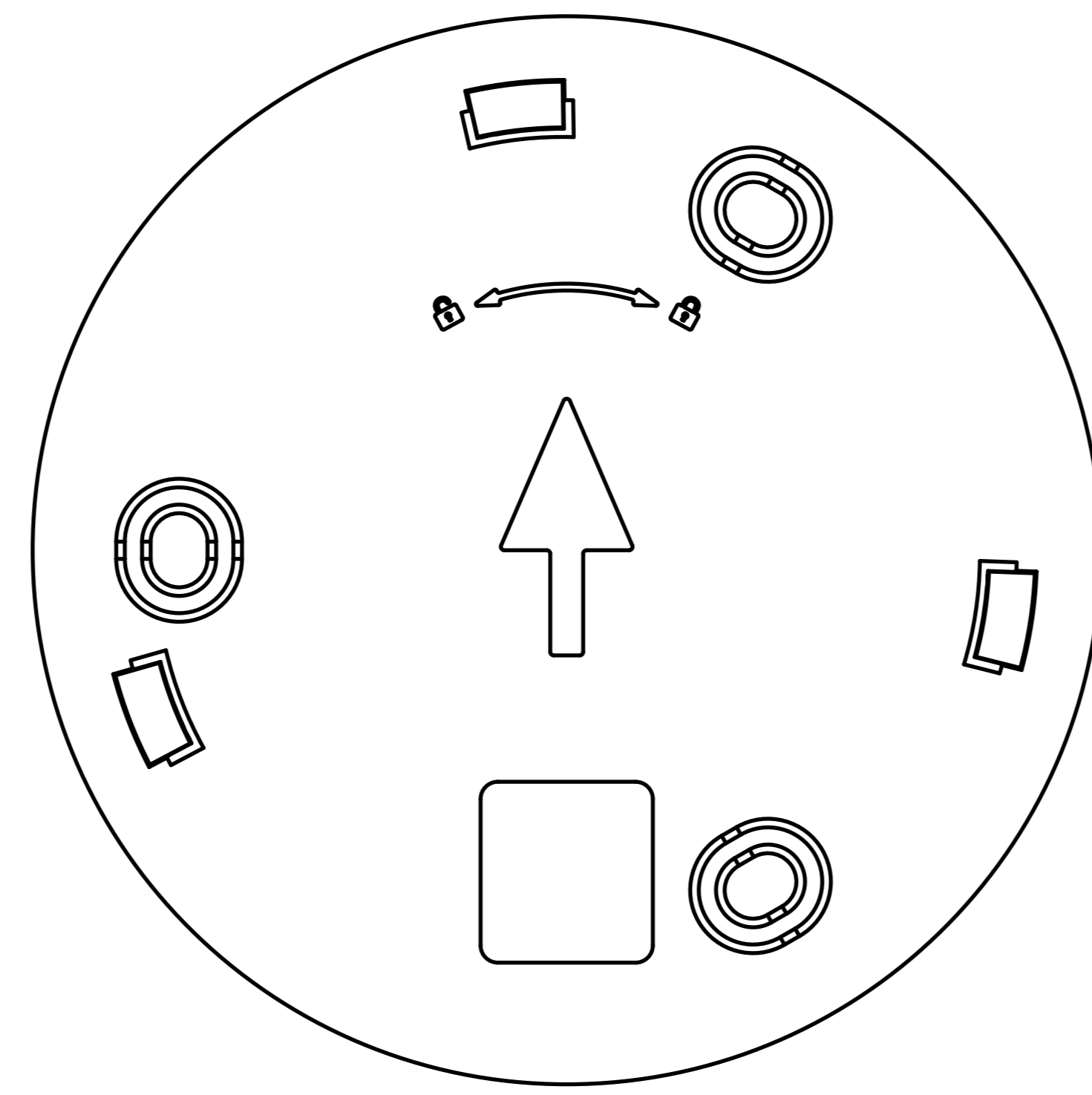
④ **BACK VIEW**



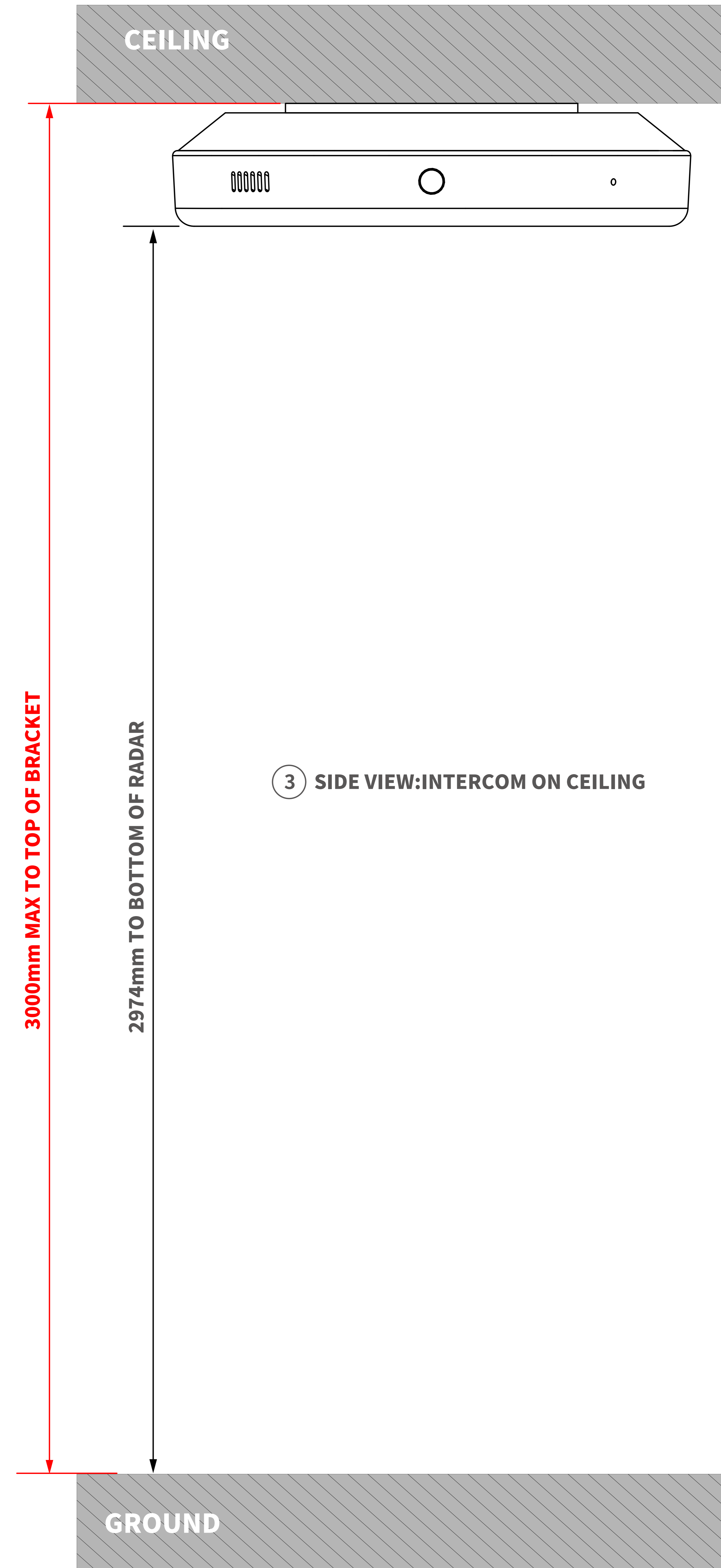
⑤ **TOP VIEW**



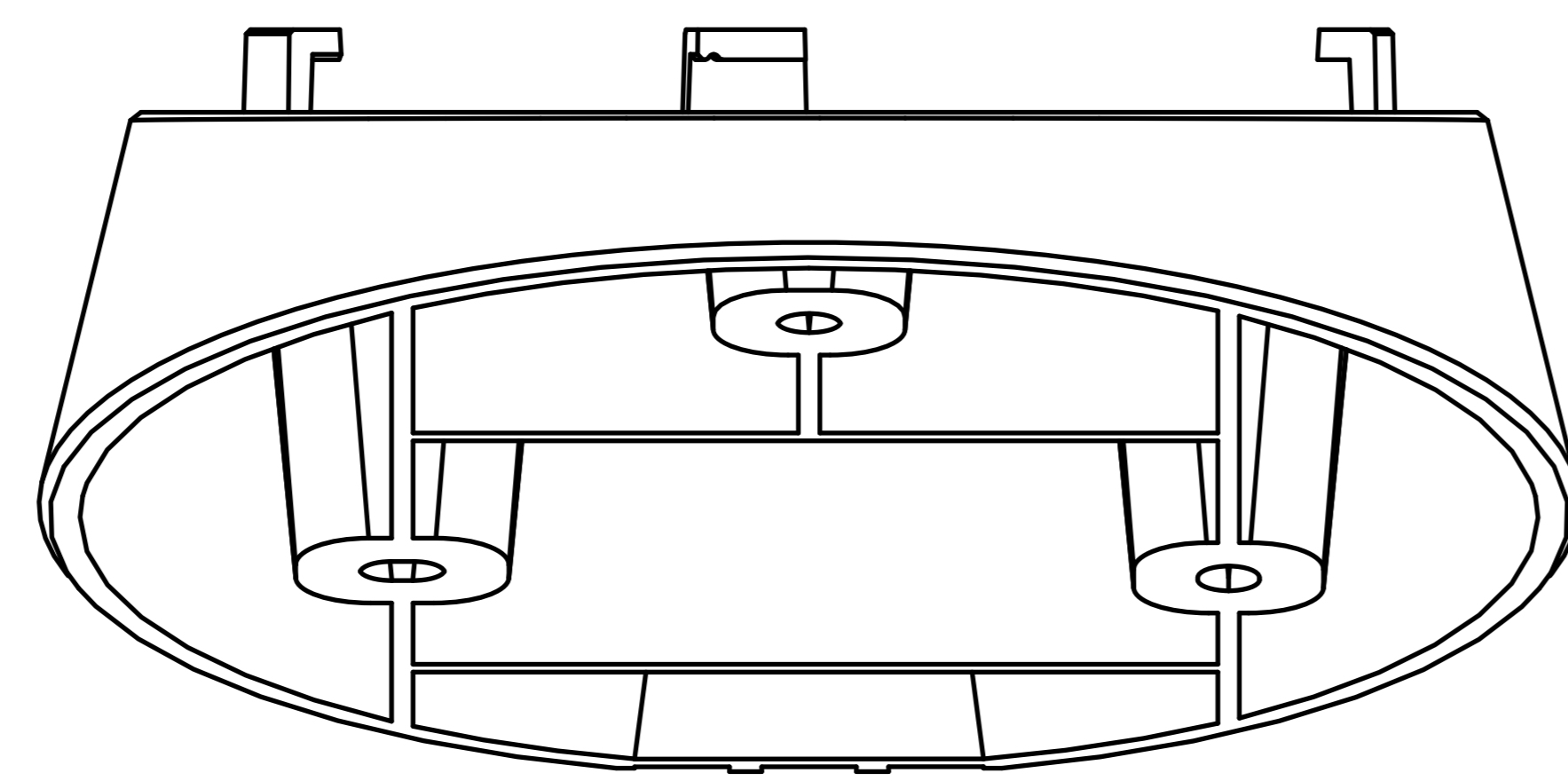
① FALL DETECTION RADAR FRONT VIEW



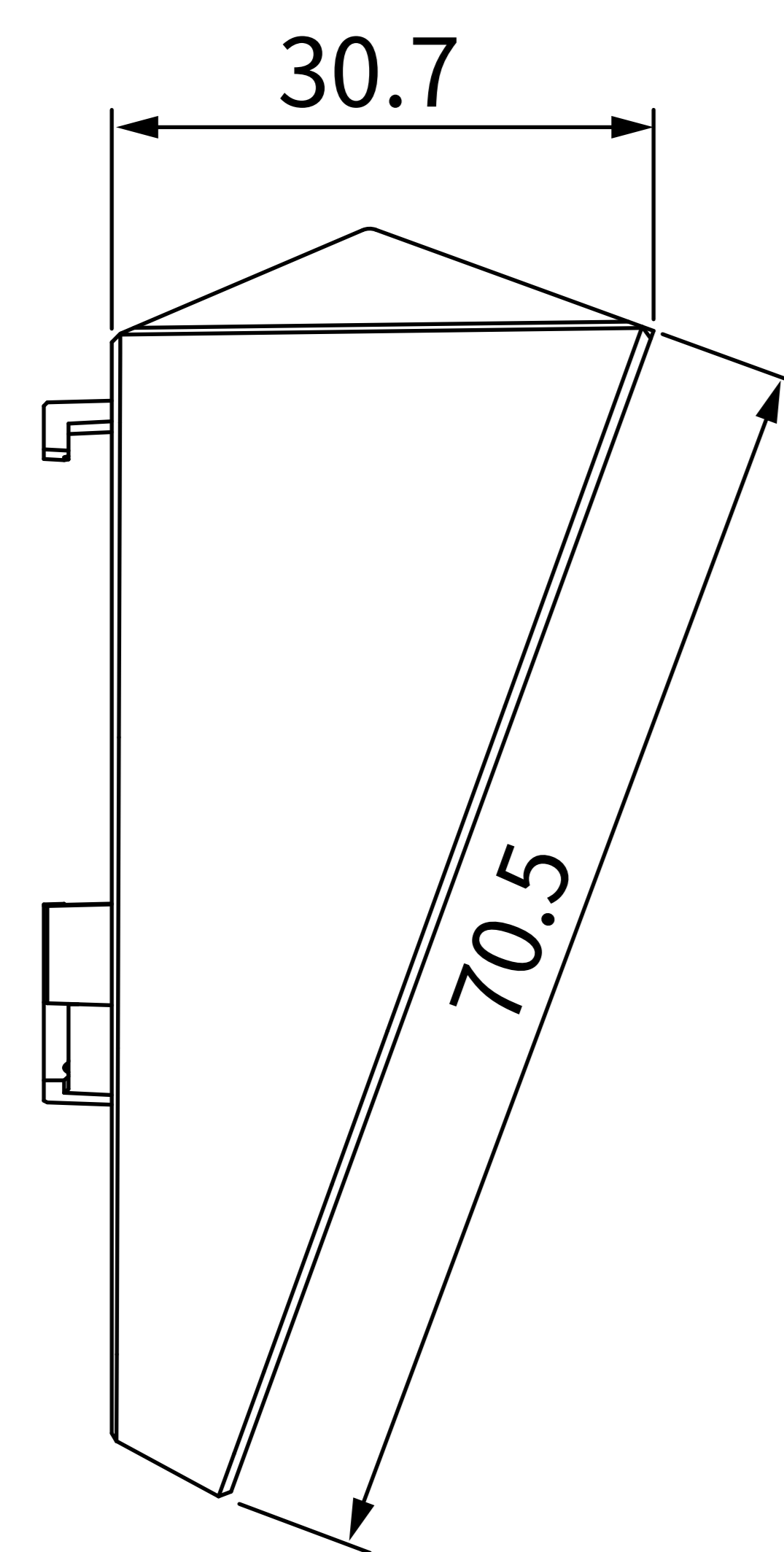
② FRONT VIEW:TOP MOUNTING BRACKET



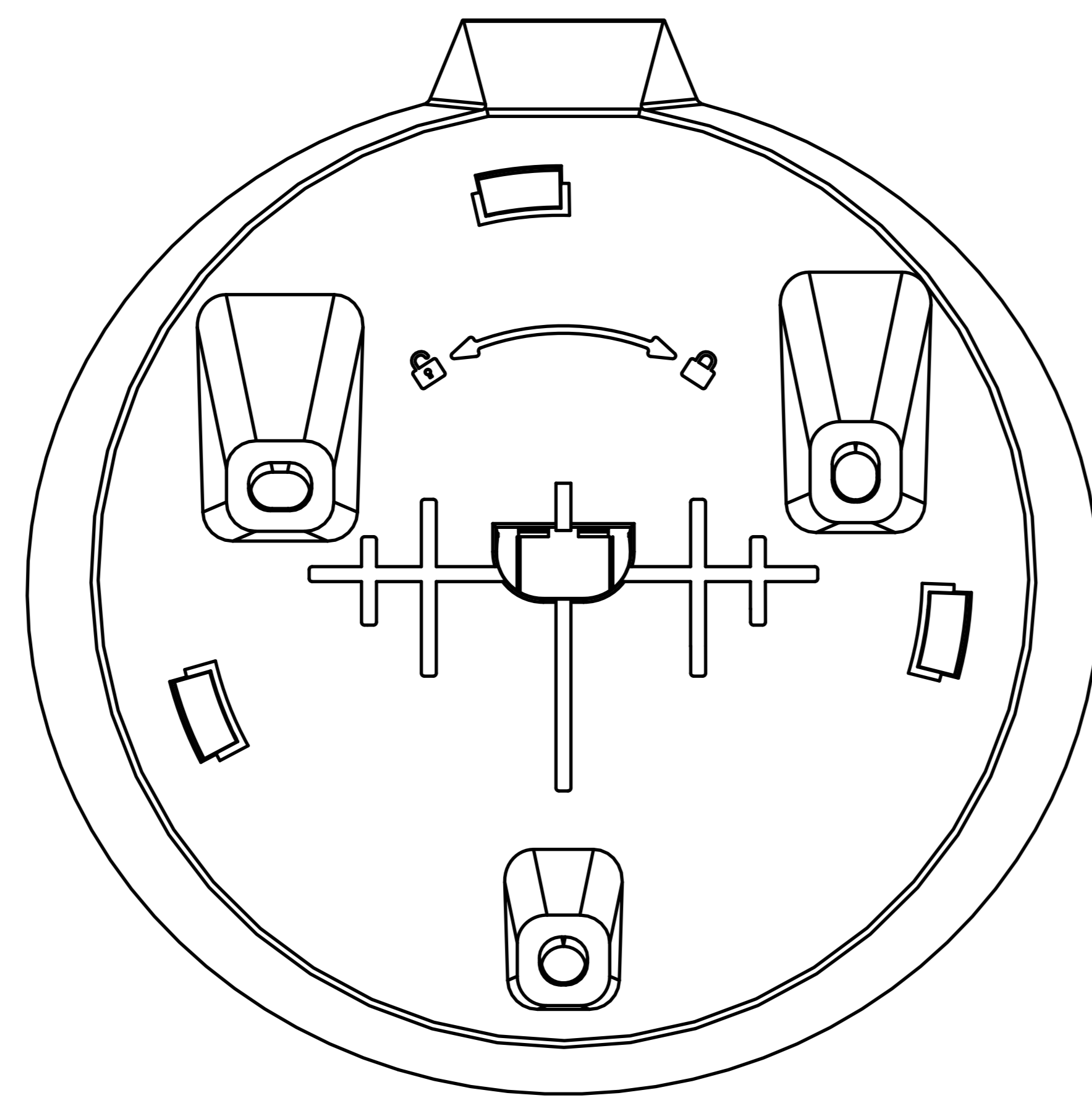
③ SIDE VIEW:INTERCOM ON CEILING



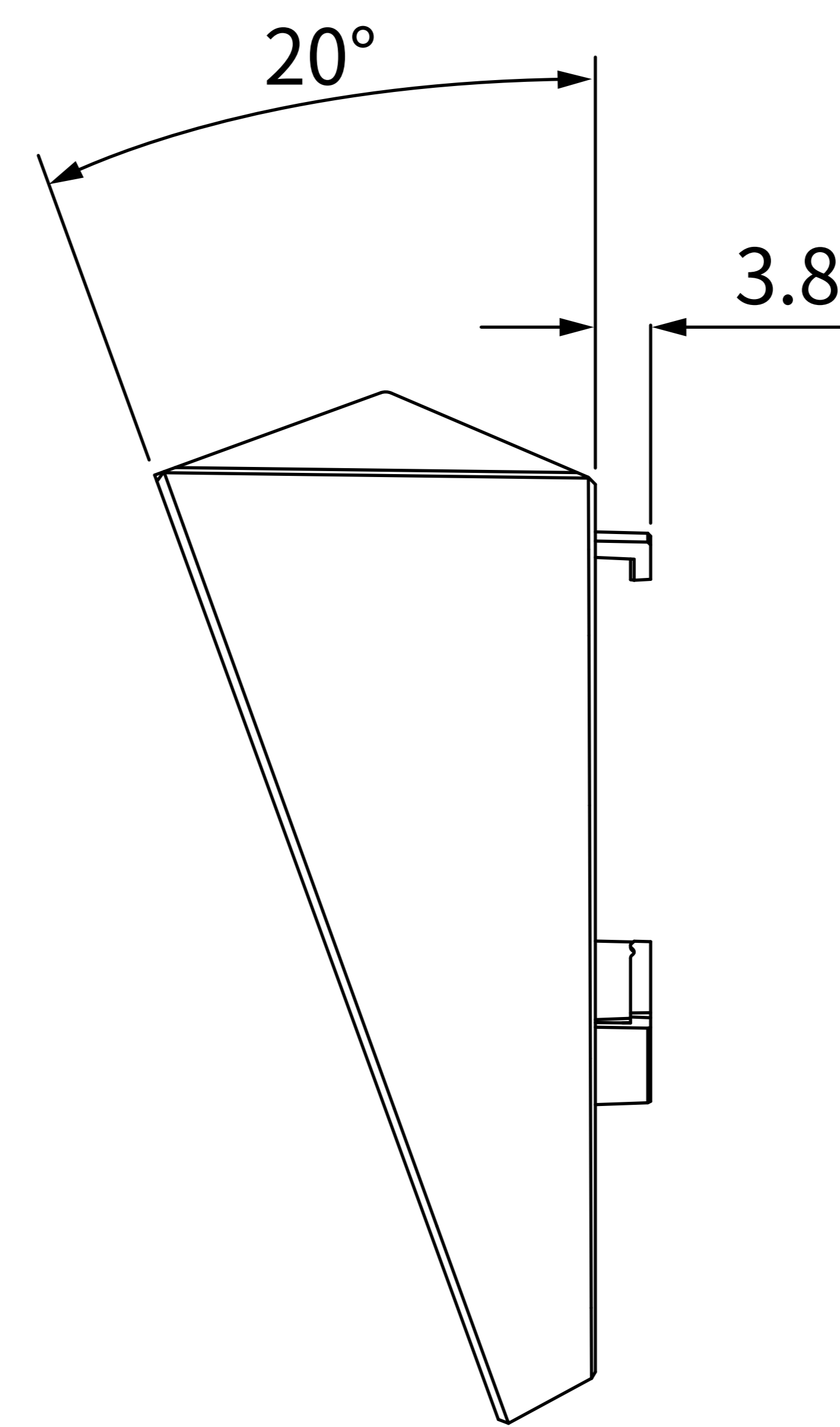
⑥ BOTTOM VIEW



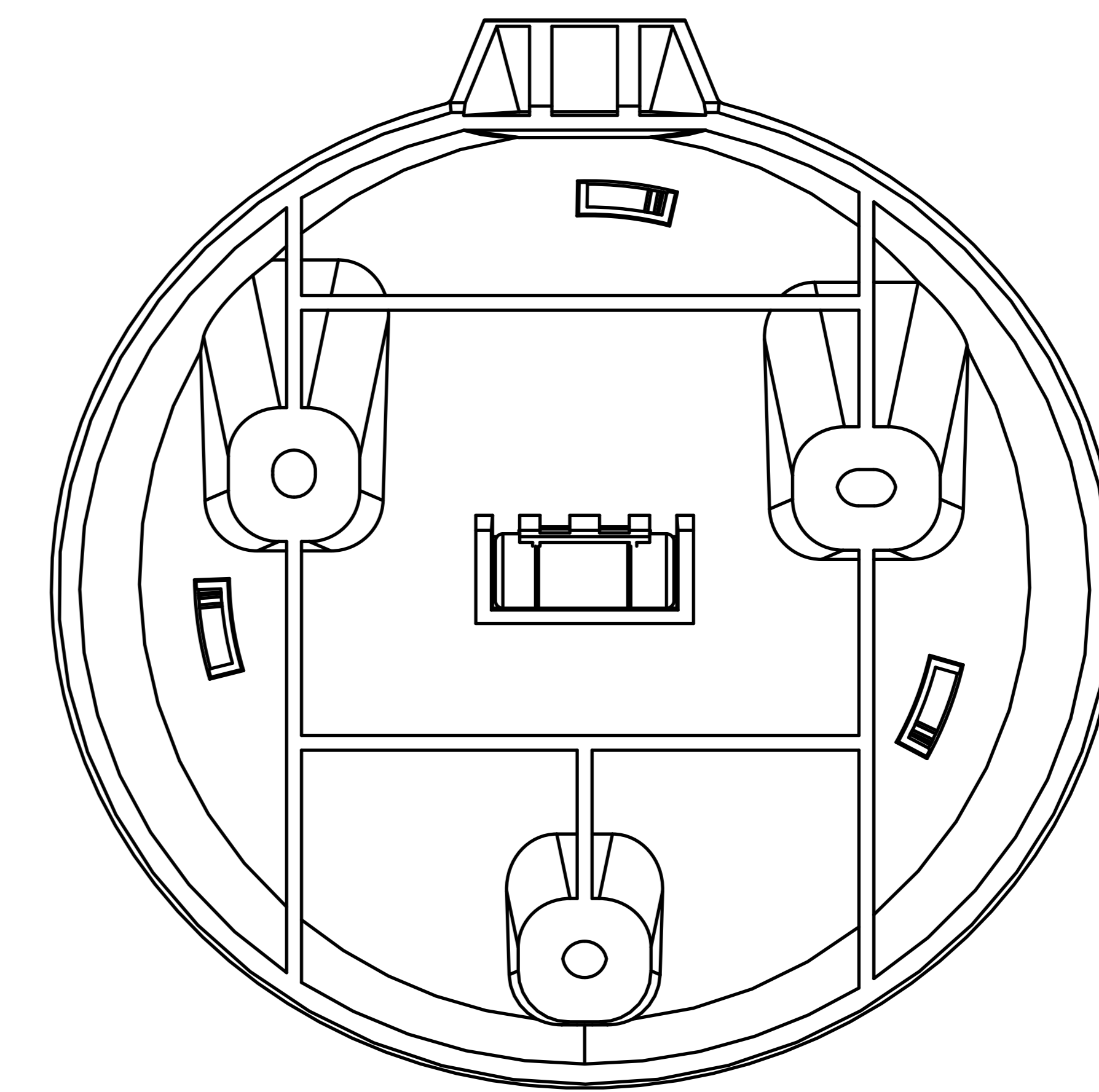
② RIGHT VIEW



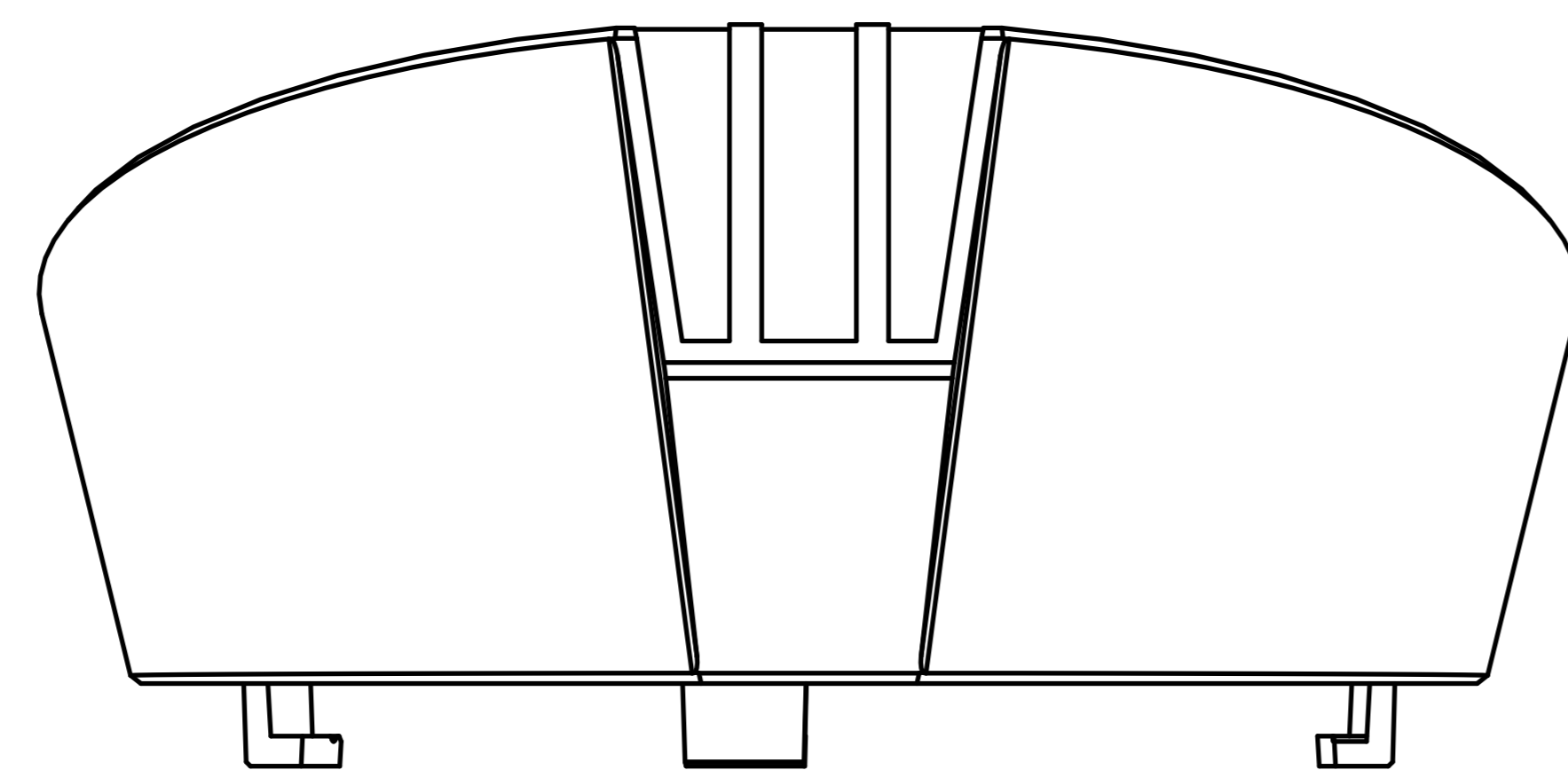
① FRONT VIEW



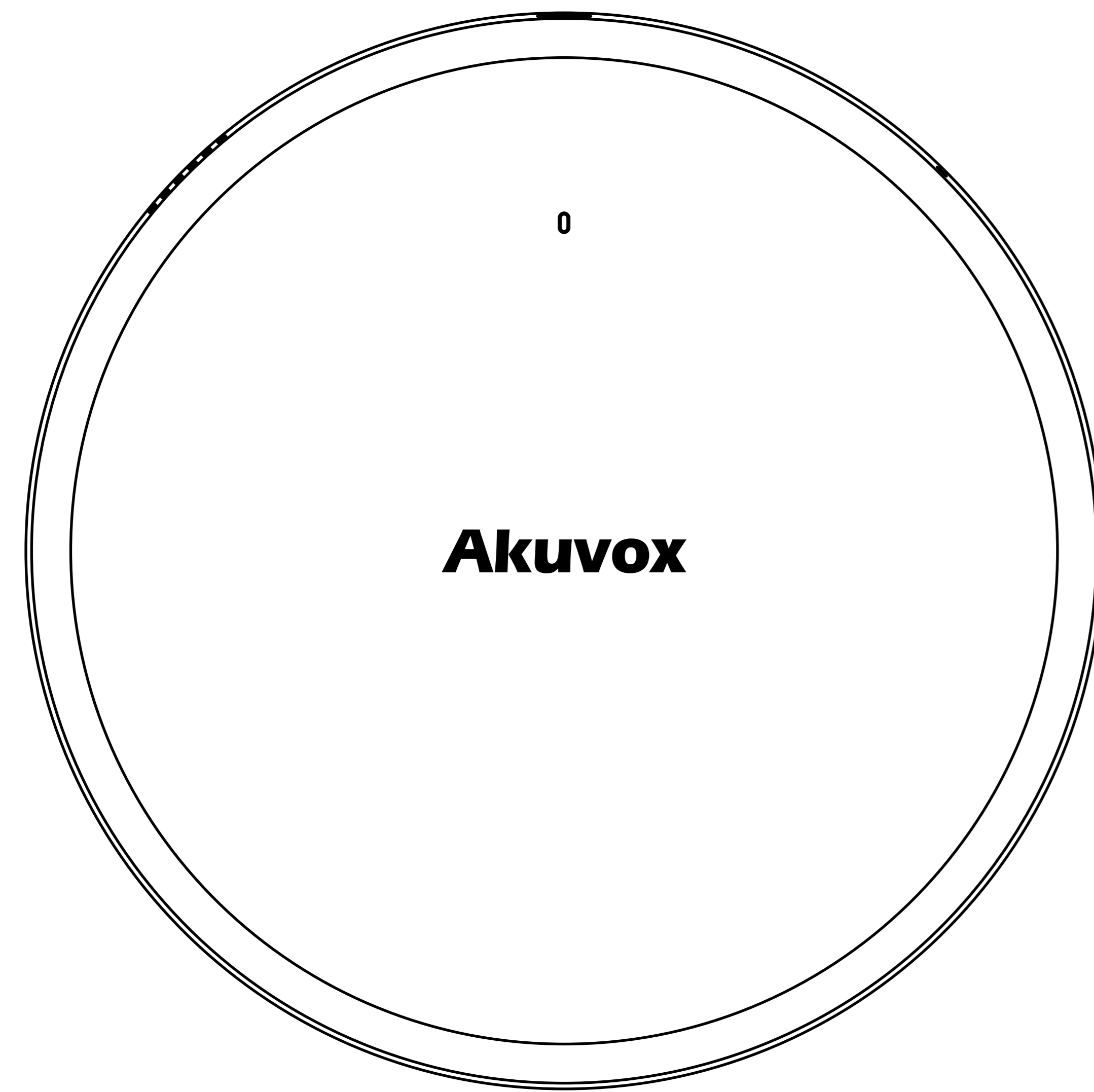
③ LEFT VIEW



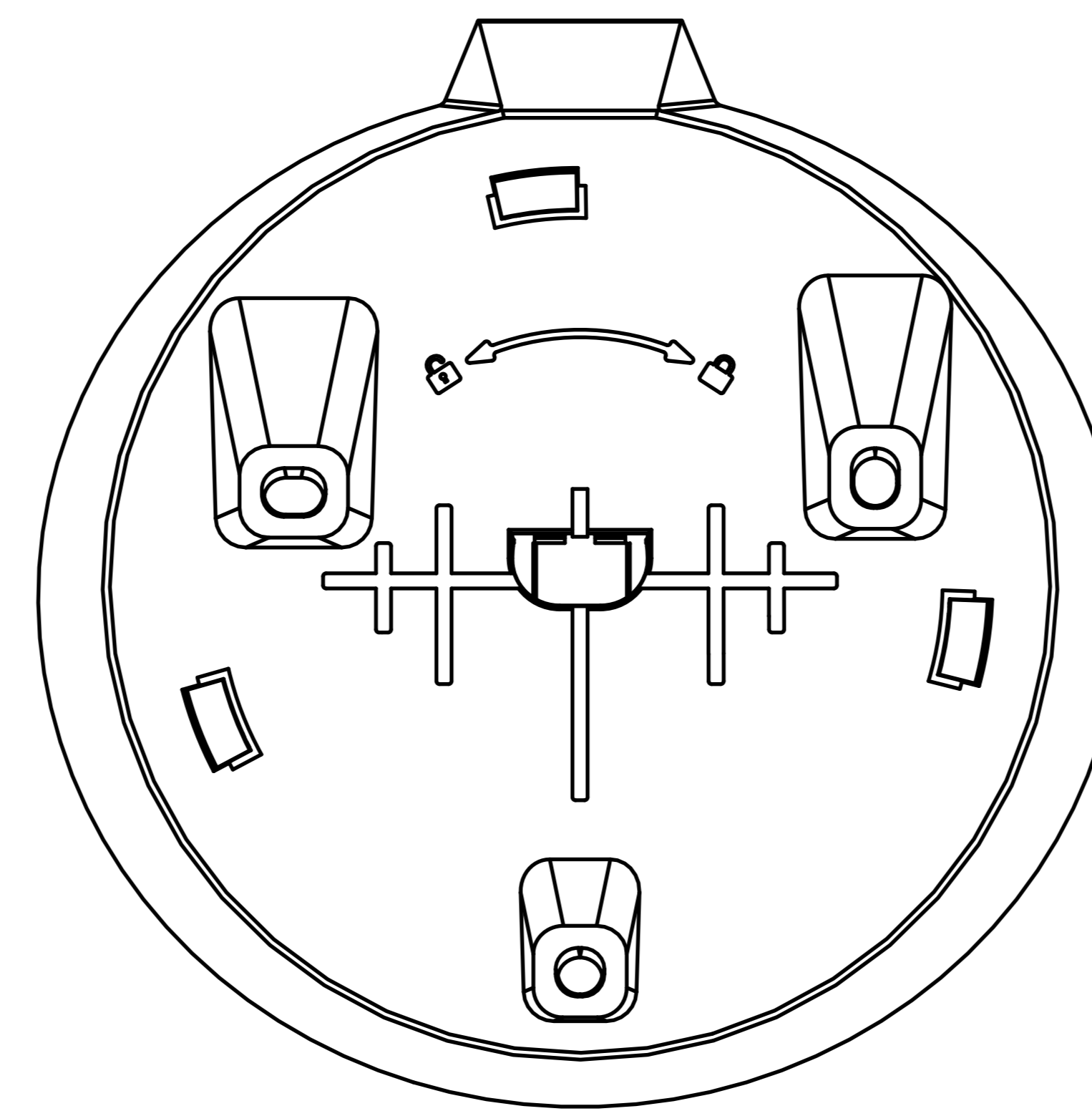
④ BACK VIEW



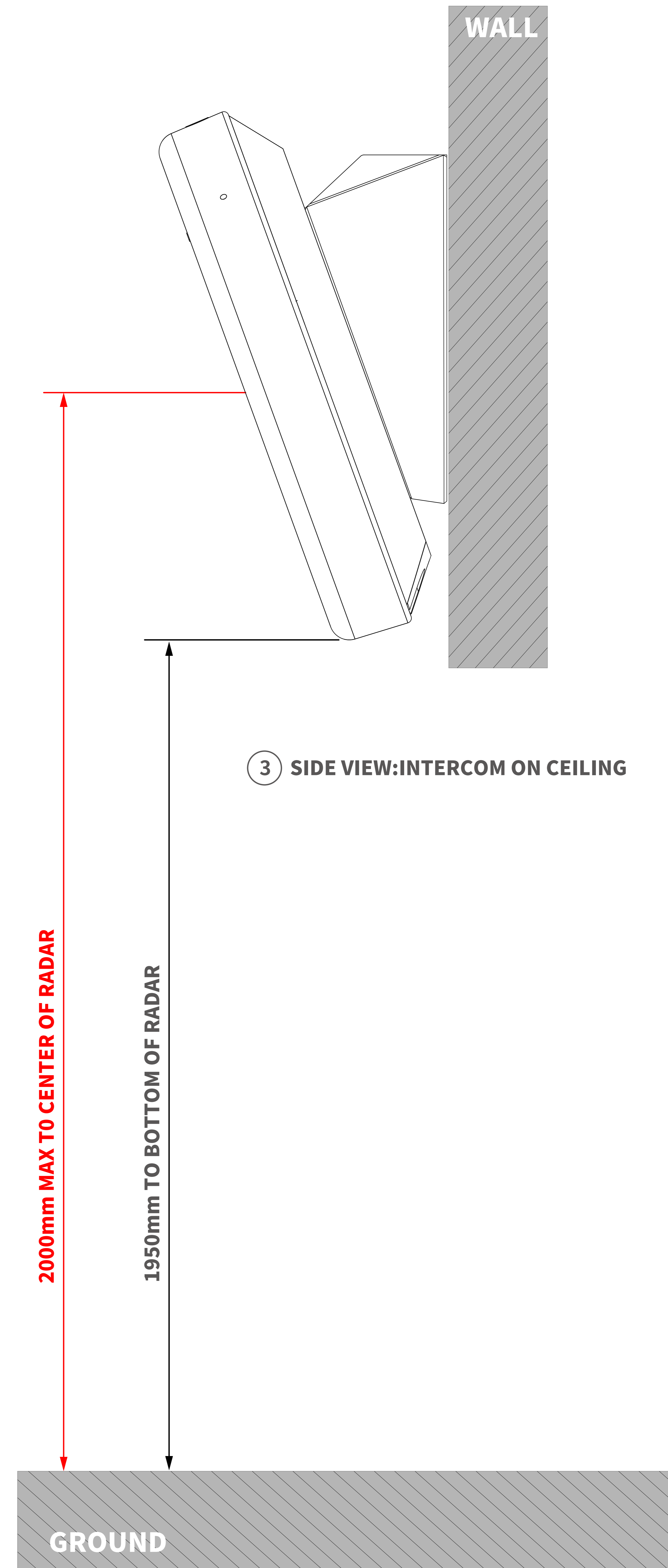
⑤ TOP VIEW



① FALL DETECTION RADAR FRONT VIEW



② FRONT VIEW:WALL MOUNTING BRACKET



③ SIDE VIEW:INTERCOM ON CEILING