

ANSI INVISIBLE®

Datasheet



The following rights are reserved:

- Any unannounced changes to the functionality or appearance of this product will void the warranty.
- Use of this product in any environment or in any manner not specified herein will also void the warranty.

ANSI INVISIBLE®

NE

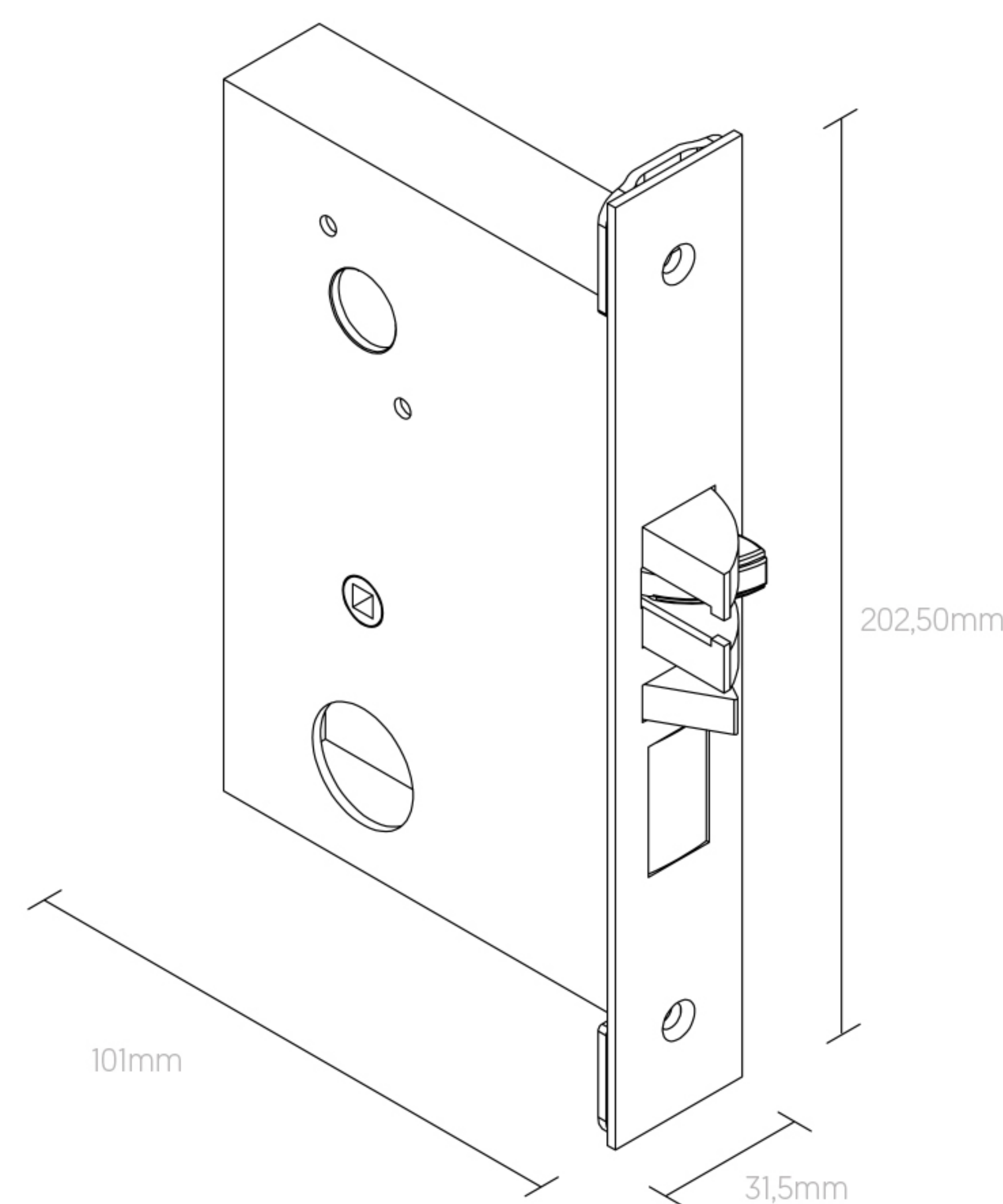
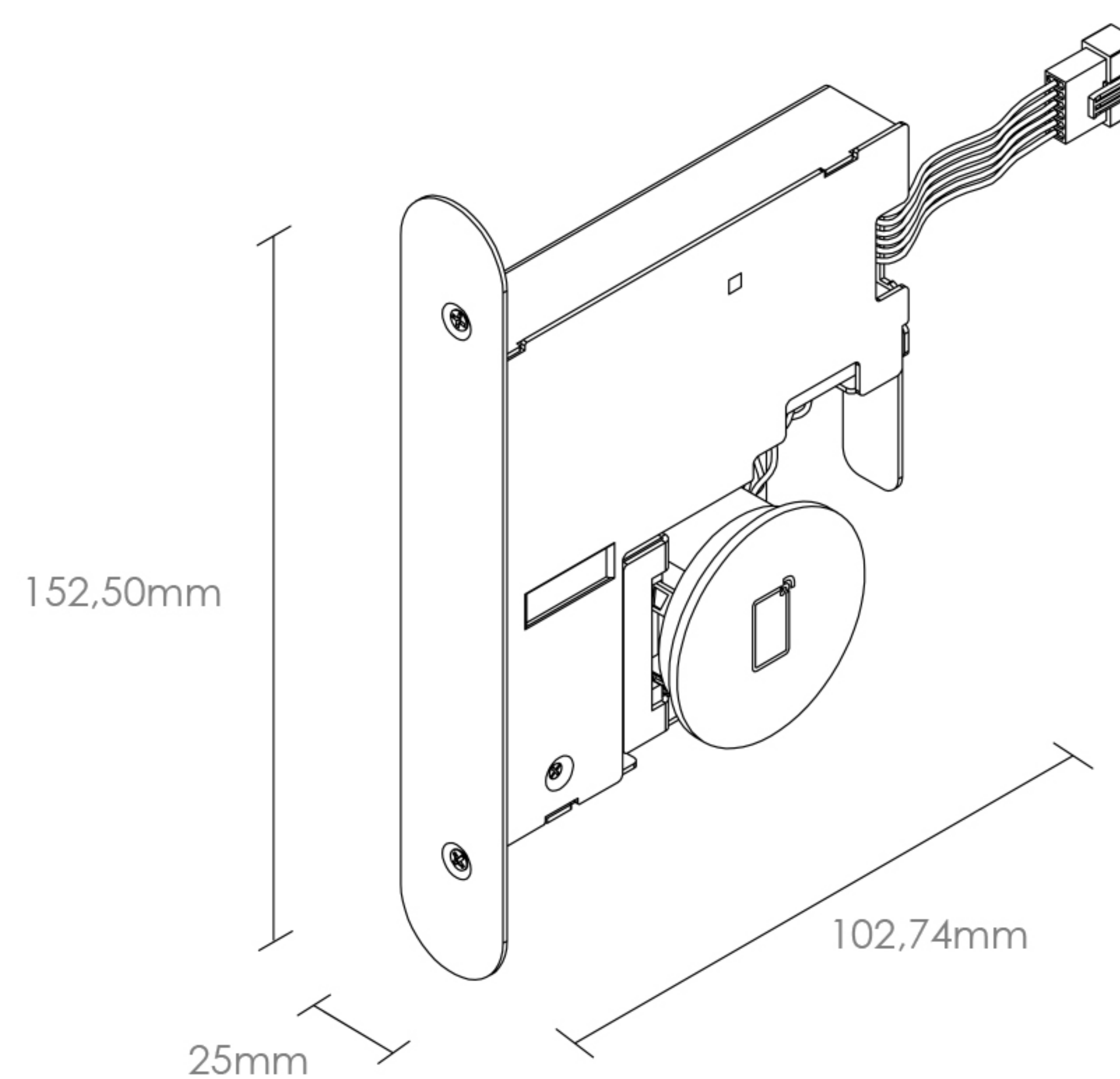
The ANSI INVISIBLE brings a minimalist look to the RFID card (Mifare) opening process, through a design concerned with the elegance of the product in the context of use. The ANSI INVISIBLE, a joint pack, offers the possibility of manual opening in addition to card and it is compatible with the iTEC Hybrid.

CE

technical sheet

Material	Stainless Steel
Opening Method	Card, WiFi, Bluetooth, APP, Mechanical Key
Identification Time	<1.0S
Communication	Bluetooth 4.1, Mifare (13,56MHz)
Cylinder	ANSI half round cylinder
Compatibility with Locks	ANSI lock
Emergency Power	Micro USB
Emergency Opening	Mechanical Key
Voltage	DC 6v [AAA*4]
Max. Power	6V-MAX
Battery Life	~ 12 months, supports ~ 5,000 opening & closing operations
Leds	White
Low Battery Alarm	3 bips, in APP and voice alarm
Consumption	<200mA
Static Consumption	65µA
Time Open	5s; 10s; 15s; 30s; 60s; custom
Number of Openings	~5,000 Openings (1Year)
Software	iTEC Hybrid, iTEC onAccess [Web], iTEC onAccessPro [Web], iTEC onHospitality [Web]
APP's	iTEC onAccess
Compatibility	iOS 8/Android 5 or above
Stand Alone	No
IP	IP56
Weight	1,86 Kg
Humidity Resistance	30%-95%
Temp. of Operation	-20°C~+ 55°C
Nº of Cards	200
Nº of Codes	N/A
Nº of Autodefined Codes	N/A
Nº of Fingerprints	N/A
User Levels	Yes
Management Code	Yes
Door Thickness	45mm ~110mm

kit





Web: GlobalVisionsInc.com
Email: sales@GlobalVisionsInc.com
Phone: 877-725-8869